

Thermi-Block™

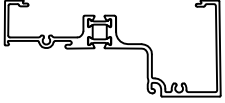


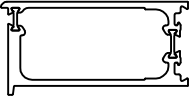
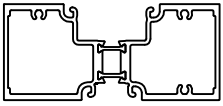
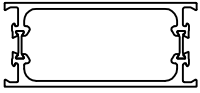
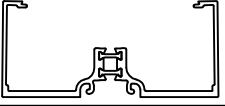
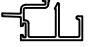
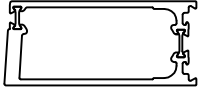
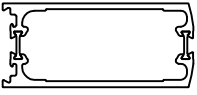
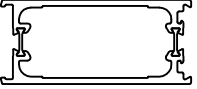
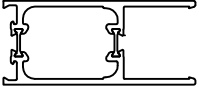
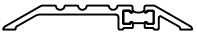


Installation Instructions

TUBELITE®


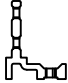




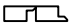


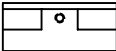
STOREFRONT, CURTAINWALL & ENTRANCES

DEPENDABLE

PARTS LIST - EXTRUSIONS

DESCRIPTION	PART NO.	DESCRIPTION	PART NO.
 OPEN BACK TRANSOM HEADER	A624344	 TRANSOM GLASS STOP	E6221
 GLASS STOP FOR TRANSOM HEADER	E14104	 RABBITED STILE	A620405
 TYPICAL HEADER/SIDELITE	A624142	 4" MIDRAIL	A625454
 TYPICAL OPEN BACK JAMB	A624040		
 TYPICAL DOOR STOP	E6220		
 TYPICAL DOOR STILE	A620001		
 TYPICAL LOCL STILE INACTIVE LEAF	A620303		
 TYPICAL STILE ACTIVE LEAF	A620202		
 4" TOP RAIL	A621414		
 THRESHOLD	T6250		
 DOOR GLASS STOP	E6222		
 10" BOTTOM RAIL	A621010		

PARTS LIST - PARTS

DESCRIPTION	PART NO.	DESCRIPTION	PART NO.
 WASHER SPACER	P6290		
 THRESHOLD CLIP	P679-0R		
 DOOR GASKET	P0017-0R		
 TRANSOM GASKET	P2528		
 ASTAGAL PILE WEATHERING	P938-0R		
 DOOR GLASS SETTING BLOCK	P???		
 TRANSOM GLASS SETTING BLOCK	P1132-0R		
 DOOR STOP PILE WEATHERING	P1098A-0R		
 ELEMENT INHIBITOR	P6240-0R		
 TAB FOR MOUNTED LOCKS	P6250-0R		
<p style="text-align: center;">TYPICAL ROD AND WASHER ASSEMBLY 4" TOP RAIL LUG P6294 10" BOTTOM RAIL P6291</p>			

Thermal Frame Assembly

See Standard Entrances for Additional Prep Information

Check opening allow for 1/4" shim and sealant space at sides and top of door frame. Door opening must be plumb and square

1. Attach header (and transom if required) with provided screws into the splines utilizing the templete provided. See figure 1 & 2.
2. Attach header (and transom if required) with provided screws with shear clips utilizing the templete provided. See figure 3 & 4

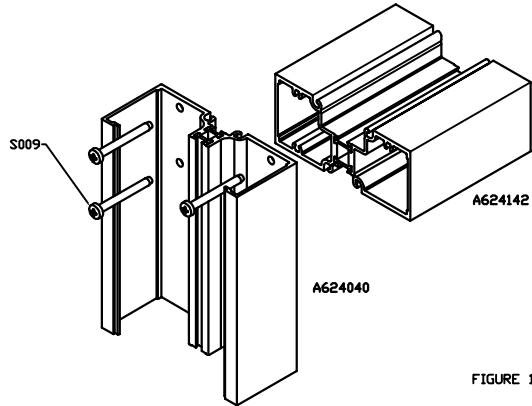


FIGURE 1

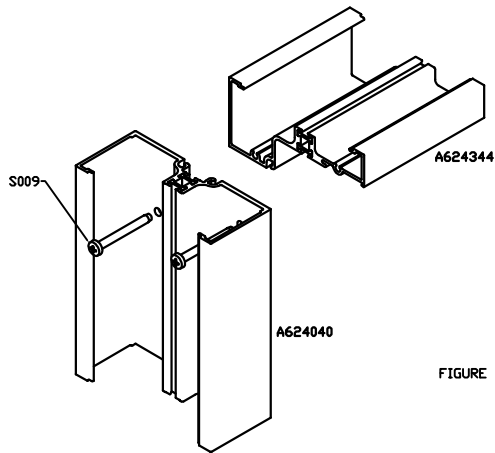
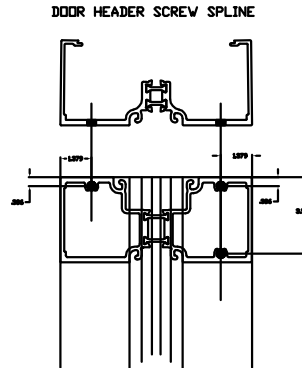


FIGURE 2

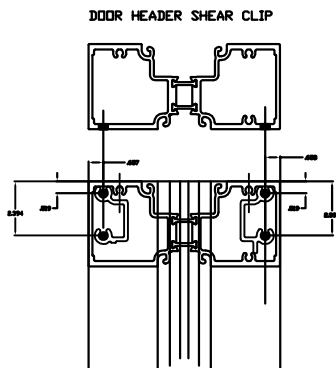
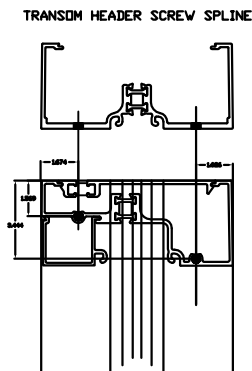


FIGURE 3

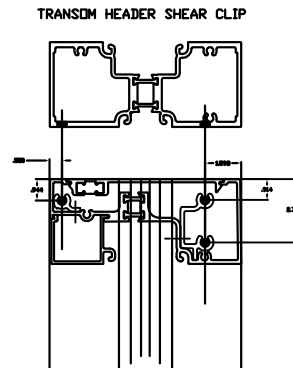


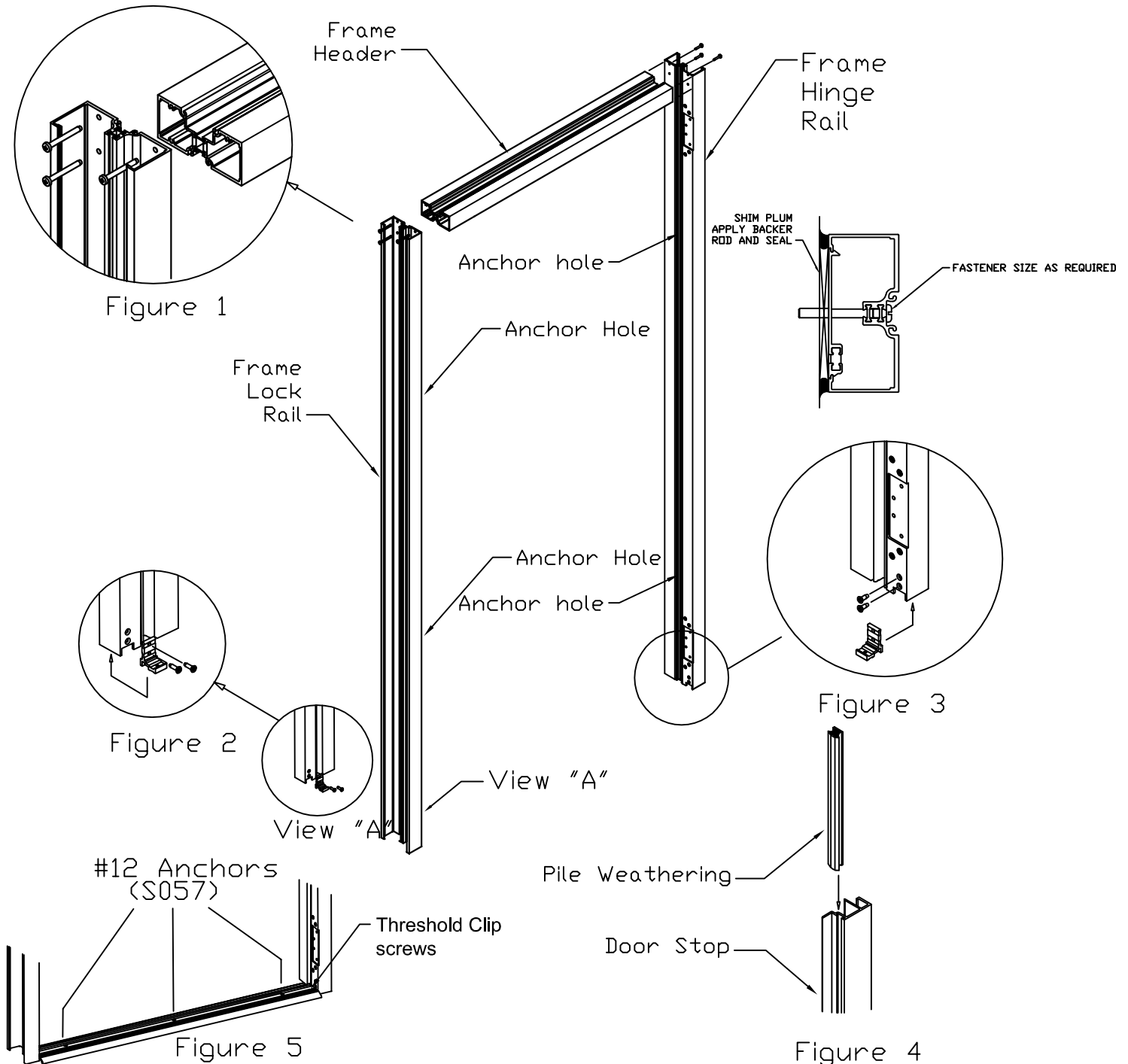
FIGURE 4

Butt Hinge Frame Assembly (Left Hand Shown)

Allow for 1/4" shim and sealant space at sides and top of door frame. Door opening must be plumb and

1. Attach header (and transom if required) with provided screws into the splines. See Figure 1.
2. Attach threshold clips with provided screws. See Figures 2 & 3.
3. Set frame into opening and ensure that it is plumb and square.
4. Drill anchor holes in glazing pocket of both vertical jamba as indicated by arrows, if no adjacent. Add a center anchor location for a 3 Butt or Continuous Hinge application.
5. Secure vertical jamb to opening. (Screws not provided)
6. Install backer rod between frame and building opening then seal.
7. Attach threshold, onto a bed of sealant, to floor using the #12 anchor screws provided. See Fig

Ensure that the threshold is supported the entire length of threshold, if not shim as required.



Thermal Door Assembly

1. Place a $\phi.391$ hole 2.475 inches from the top and bottom of the door rail to accommodate the Tie Rod. See Figure 1
2. Slide door rail lug into place. Place Tie Rod through holes in the door rail lug and stile.
3. Place P6290 washer spacer, P852 Steel Washer, and S071 Lock Nut over rod end. See Figure 2

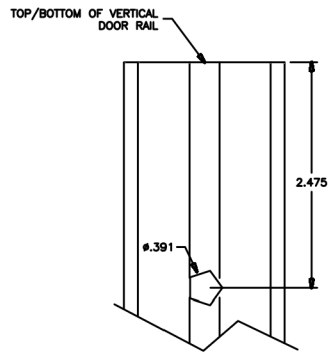


FIGURE 1

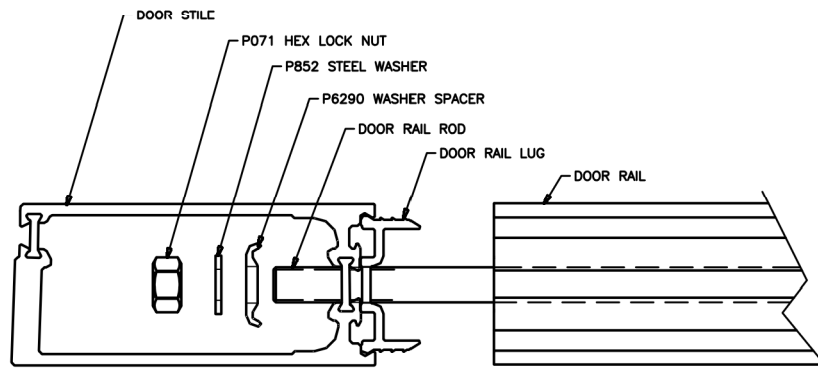


FIGURE 2

Thermal Door Weather Inhibitor Application

1. Install P6240 by first notching hooks around vertical stiles at both ends of the door. See Figure 1
2. Run a bead of sealant around the perimeter of the P6240. See Figure 2
3. Snap the P6240 into place at the top and bottom of the door. See Figure 3

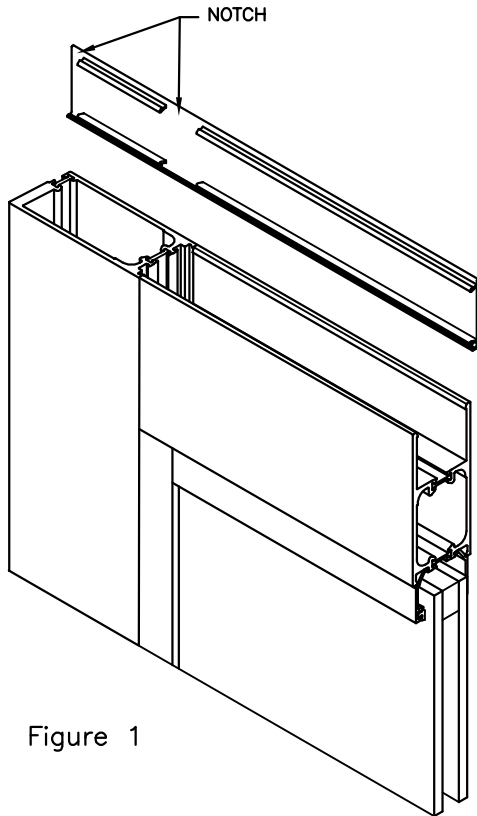


Figure 1

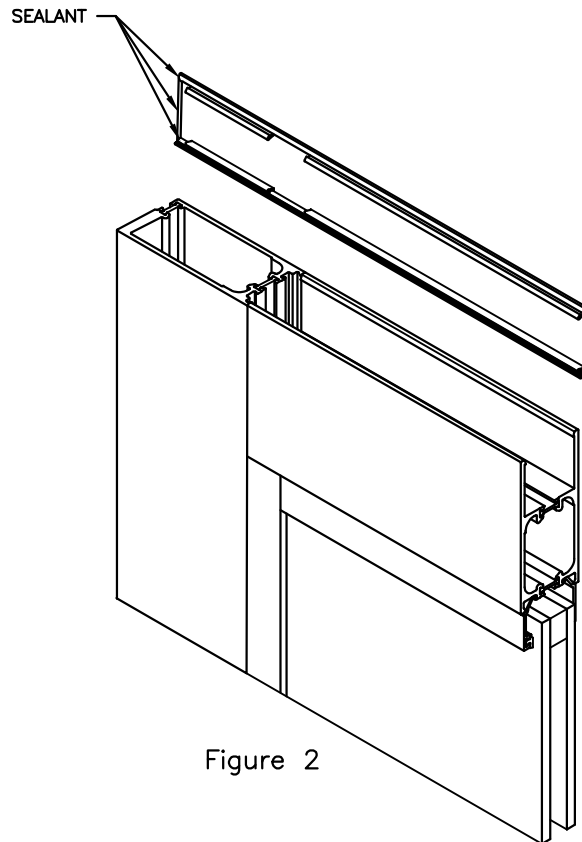


Figure 2

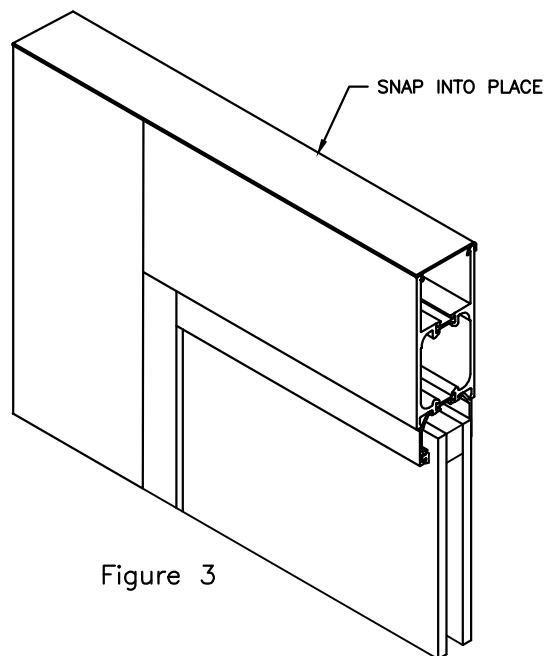


Figure 3

TUBELITE[®]

STOREFRONT, CURTAINWALL & ENTRANCES

DEPENDABLE

Tubelite Inc.

3056 Walker Ridge Drive NW, Suite G
Walker, Michigan 49544

Phone 800.866.2227

Fax 877.299.2414

www.tubeliteinc.com